

## SHOWER BOARDS: G13-3NPS



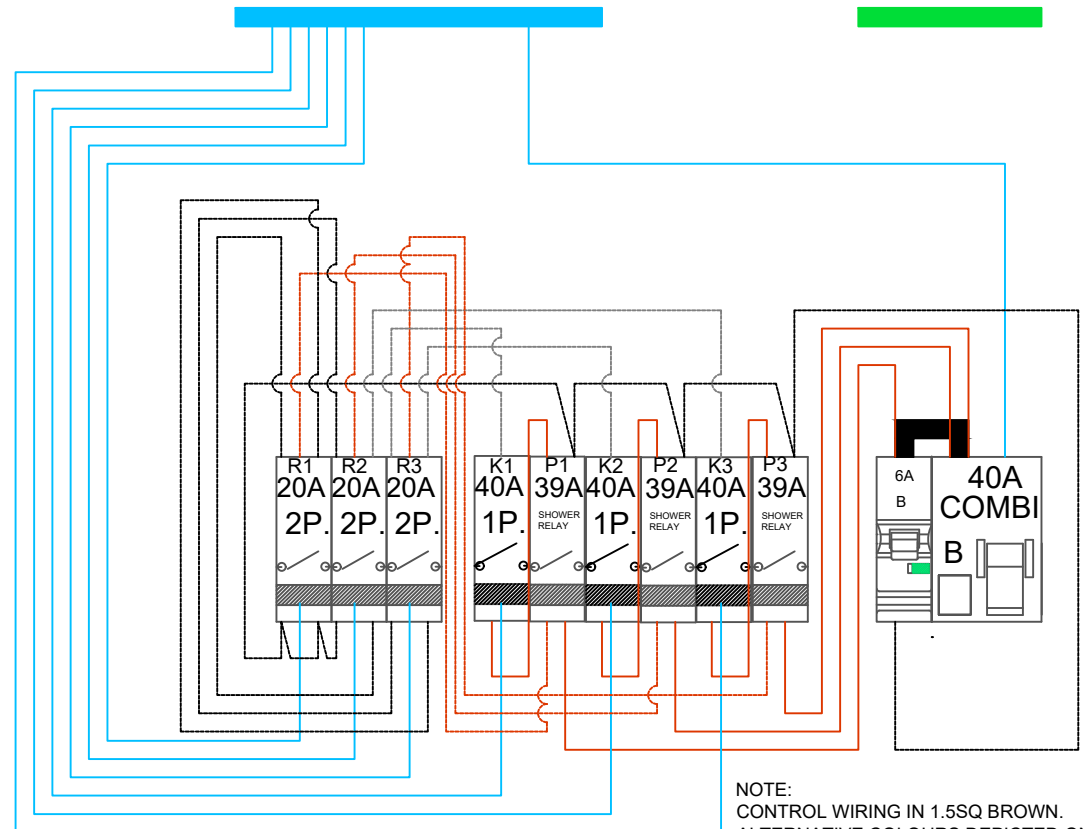
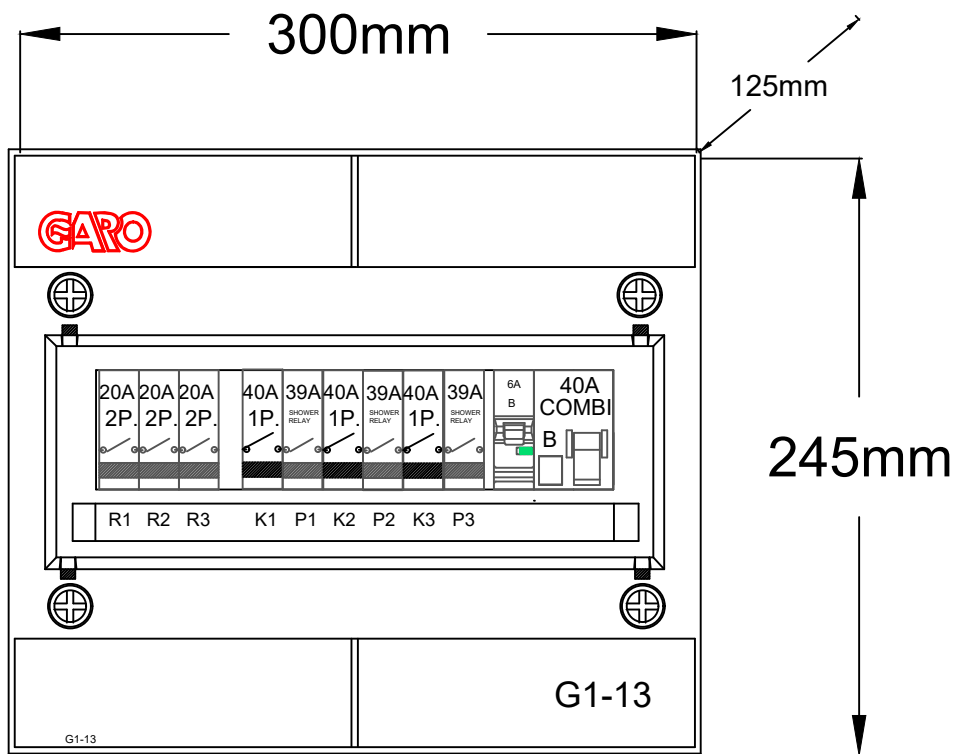
**Non- Priority Shower  
Board G13-3NPS**

Garó 3 way Shower Boards are designed to facilitate the use of three electric showers which are being supplied from a domestic 63A single phase supply. Both showers may continually use <3kW of power each, however, when one exceeds this power use the Board will automatically cut the power to the other showers thus protecting the main supply fuse.

### **TECHNICAL DATA**

- Degree of protection IP31
- Resistance to impact IK08
- Auto-extinguishing degree HB (UL94)
- test of resistance to glow wire 650° C
- ball pressure test 70° C

According to 2006/95/CE directive and EN 61439-1 and UNE-EN 61439-3 norms on affected parts.



NOTE:  
CONTROL WIRING IN 1.5SQ BROWN.  
ALTERNATIVE COLOURS DEPICTED ON  
SCHEMATIC FOR CLARITY ONLY

K1 - 40A 1/P CONTACTOR (SHOWER NO.1) CONNECT SHOWER TO TERMINAL 1

K2 - 40A 1/P CONTACTOR (SHOWER NO.2) CONNECT SHOWER TO TERMINAL 1

K3 - 40A 1/P CONTACTOR (SHOWER NO.3) CONNECT SHOWER TO TERMINAL 1

P1 - CURRENT SENSING RELAY (SHOWER NO.1)

P2 - CURRENT SENSING RELAY (SHOWER NO.2)

P3 - CURRENT SENSING RELAY (SHOWER NO.3)

\*\*\*\*NOTE: SHOWERS MUST BE DRAWING AT LEAST 11-12 AMPS FOR RELAYS TO OPERATE

R1, R2, R3 - INTERLOCKING CONTACTORS

NO	DESCRIPTION	DATE	NAME	CHECK	APPD

PROJECT  
3 Shower Non-Priority Board



Unit 19 / 307  
Northwest Business park  
Ballycoolin  
Dublin 15

DRAWING No.  
**G13-3NPS**

SHEET  
-1

PROJECT No