



GARO Wallbox GLB

Quickstart guide stand-alone GLB Wallbox



GARO AB

Box 203, SE-335 25 Gnosjö

Phone: +46 (0) 370 33 28 00

info@garo.se

garo.se



GARO[®]















TABLE OF CONTENTS

| | |
|---|----------|
| Warnings | 3 |
| Cautions | 4 |
| Notes | 4 |
| Installation of standalone GLB Wallbox | 5 |
| Dip Switch Information | 6 |
| Normal Use / Charging | 7 |
| Basic LED indications | 7 |
| Software GLB | 7 |
| Service/Maintenance | 7 |
| Troubleshooting/Support/FAQ mm | 7 |
| Technical specifications | 8 |
| Installation sketch | 9 |
| Options | 12 |
| Warranty form/Garantiblankett | 13 |
| Warranty conditions | 14 |




Warnings

This document contains general descriptions which are verified to be accurate at the time of printing. However, because continuous improvement is a goal at GARO, we reserve the right to make product and software modifications at any time.


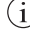










Latest manual can always be found at www.garoemobility.com/support

-  Dielectric Voltage Withstand Test is not allowed on GLB Wallbox
-  This equipment should not be used by anyone (including children) with reduced physical, sensory or mental capacity, or anyone lacking in experience or knowledge, unless they are provided with supervision or prior instruction in how to use the equipment by the person responsible for their safety.
-  The GLB Wallbox range of charging stations is designed exclusively for charging electric vehicles.
-  The GLB Wallbox must be grounded according to local country installation requirements.
-  Do not install or use the GLB Wallbox near flammable, explosive, harsh, or combustible materials, chemicals, or vapors.
-  Turn off the electrical power at the circuit breaker before installing, configuring or cleaning of the GLB Wallbox.
-  Use the GLB Wallbox only within the specified parameters.
-  Never spray water or any other liquid directly at the GLB Wallbox. Never spray any liquid onto the charge handle or submerge the charge handle in liquid. Store the charge handle in the dock to prevent unnecessary exposure to contamination or moisture.
-  Do not use this equipment if it appears to be damaged or if the charging cable appears to be damaged.
-  Do not modify the equipment installation or any part of the product.
-  Do not touch the GLB Wallbox's end terminals with fingers or any other objects.
-  Do not insert foreign objects into any part of the GLB Wallbox.

Cautions

-  Do not use private power generators as a power source for charging.
-  Incorrect installation and testing of the GLB Wallbox could potentially damage either the vehicle's battery and/or the GLB Wallbox itself.
-  Do not operate the GLB Wallbox in temperatures outside its operating range – see technical specifications.

Notes

-  All installation must be carried out by an authorised installer and comply with local installation regulations. If any questions, please contact your local electrical authority.
-  Ensure that the GLB Wallbox's charging cable is positioned so it will not be stepped on, driven over, tripped on, or subjected to damage or stress.
-  Unroll the charging cable to prevent it from overheating.
-  Do not use cleaning solvents to clean any of the GLB Wallbox's components. The outside of the GLB Wallbox, the charging cable, and the end of the charging cable should be periodically wiped with a clean, dry cloth to remove accumulation of dirt and dust.
-  Be careful not to damage the circuit boards or components during installation.
-  Refer to local standards and regulations not to exceed charging current limitations.
-  The front cover must always be locked in its upper position in order to ensure compliance with IP Code IP44.
-  Avoid to install the GLB Wallbox in direct sunlight to avoid any heat-problems.
-  To even out the load, it is important to rotate the phases when connecting several of GLB Wallboxes to the same system. Note that 1-phase charging is common in electric vehicles and L1 in the GLB is used for this purpose.
-  Ventilation signal from EV is not supported.
-  Adapters for charging connectors are not allowed to be used.
-  Cord extension sets for charging cable is not allowed to be used.

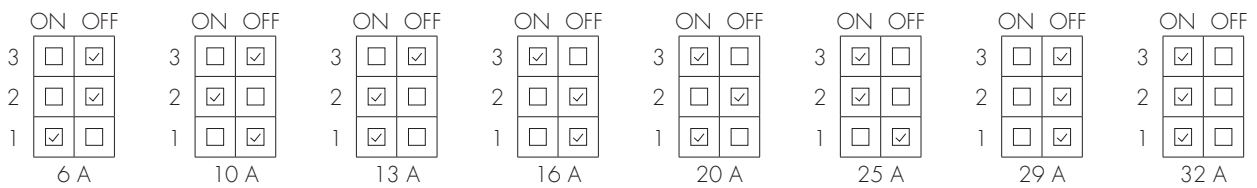
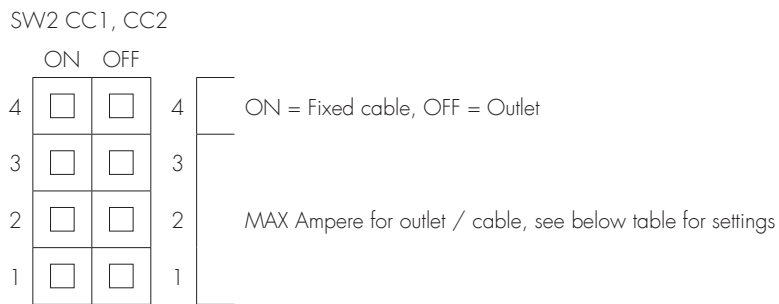
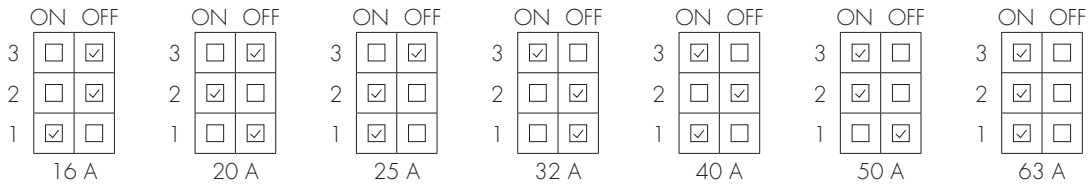
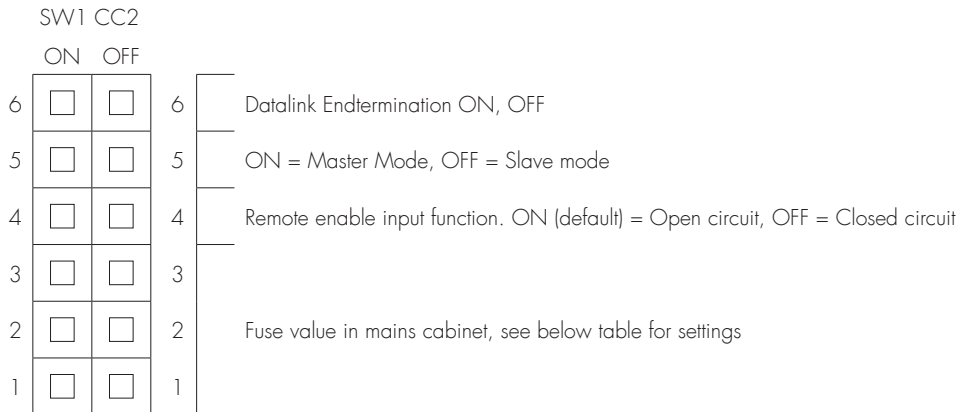
Installation of standalone GLB Wallbox

(for installation of GLB in cluster,
see User manual at www.garoemobility.com/support)

- 1) GLB Wallbox without RCCB or RCBO included in the enclosure must have Residual Current protection and must be protected with a max 32A fuse in the supply distribution box.
 - 2) GLB Wallbox without RCCB Type B fitted or DC fault protection in the enclosure must in accordance to IEC 60364-7-722 be protected with a Residual Current Device (RCD) Type B.
 - 3) 3-phase GLB Wallbox equipped with a Residual Current Circuit Breaker (RCCB) must be protected with a max 32A fuse in the supply distribution box.
 - 4) 1-phase GLB Wallbox fitted with a Residual Current Breaker with Overcurrent Protection (RCBO) can be connected in parallel. This group of chargers must be protected by a backup fuse in the distribution box. The backup fuse shall not exceed 125A.
1. Select the appropriate group fuse (1x6A - 3x32A) and cable area for the electrical installation. Some countries require earth fault breakers to be installed. Follow local country regulations and select the appropriate earth fault equipment for the electrical installation. NOTE! Due to high currents for a long time in the cable, there is a high risk of voltage drop if the cable is under-dimensioned which can damage the electronics in an EV.
 2. Fill in the information in the Warranty form.
 3. Mount the GLB Wallbox according to the installation sketch, (figure 1-5)
 4. Set dip switch SW1 to same (A) as the main fuse (16-63A). SW1 is located at the center left hand side of the main board. See figure 9.
 5. Set the dip switch SW2 according to your group fuse for the GLB Wallbox (6-32A). Dip switch 2 is located at bottom left corner of the main board. See figure 9.
 6. Install the electrical power supply cable according to local regulations.
 7. Fill in serial number in the Warranty form. See QR code label at upper right corner of the main board.
 8. Mount the box cover on the enclosure + front lid, see figure 7-8.
 9. Turn on the electrical power to the GLB Wallbox.
 10. For GLBW... and GLBDCW... models: Connect a mobile device (PC/Tablet/Mobile) to the GLB Wallbox Wifi network. You find SSID and password on the rating label. Type in 172.24.1.1 in your web browser and check that the GLB webinterface is visible. This action confirms that the GLB Wallbox communication module is working properly.
 11. Test the charger with a test instrument or test to charge an electric vehicle to ensure that the charger is working properly.
 12. Doublecheck that the Warranty Form is filled in completely, sign with name, date and company that the warranty is valid.

| GLB Type | Protection type | | | | | | |
|-------------------------------|-----------------|---------|-----------------|------|-------------|-------------|---------------------|
| | 1-phase | 3-phase | No RCBO or RCCB | RCBO | RCCB type A | RCCB type B | DC-fault protection |
| GLB...37.. ^{2) 4)} | ● | | | ● | | | |
| GLB...74.. ^{2) 4)} | ● | | | ● | | | |
| GLB...22.. ^{1) 2)} | | ● | ● | | | | |
| GLB...22..-A ^{2) 3)} | | ● | | | ● | | |
| GLB...22..-B ³⁾ | | ● | | | | ● | |
| GLBDC...37.. ⁴⁾ | ● | | | ● | | | ● |
| GLBDC...74.. ⁴⁾ | ● | | | ● | | | ● |
| GLBDC...11.. ¹⁾ | | ● | ● | | | | ● |
| GLBDC...22.. ¹⁾ | | ● | ● | | | | ● |
| GLBDC...22..-A ³⁾ | | ● | | | ● | | ● |

Dip Switch Information



Normal Use / Charging

Connect the charging cable to the EV. Charging will start instant if the EV is ready for charging.

See your EV charging manual.

When finishing charging, follow the car's instructions.

After charging: Release the charging cable from your EV and place the charging cable at designated place.

Basic LED indications



Solid green light: ready for charging



Flashing green light: GLB Wallbox waiting for start signal from electric vehicle



Shifting blue light intensity: charging

Other LED indications: see User manual at www.garoemobility.com/support

Software GLB

See User manual at www.garoemobility.com/support


Service/Maintenance

See User manual at www.garoemobility.com/support

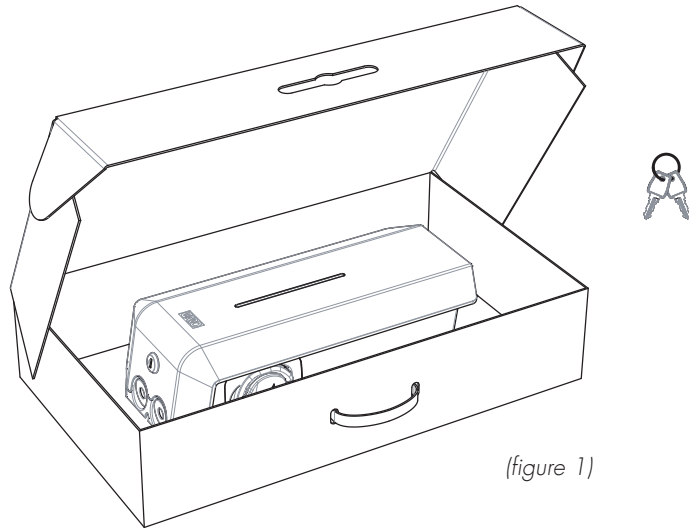
Troubleshooting/Support/FAQ mm

See User manual at www.garoemobility.com/support

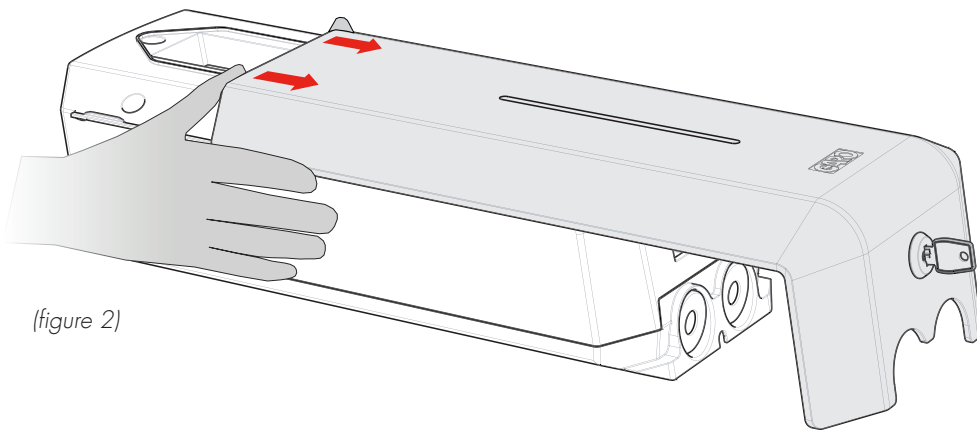
Technical specifications

| | |
|---|-----------------------------|
| Product type | All GLB models |
| Standards / Directives | IEC 61851-1 and IEC 61439-7 |
|  | |
| EMC Classification: | 2014/30/EU |
| Installation method: | Wall |
| Installation environment: | Indoor / Outdoor |
| Location type: | Non-restricted Access |
| Rated Voltage: | 230V / 400V 50Hz |
| Installation systems: | TT, TN and IT systems |
| Charging type: | Mode 3 |
| Charging method: | AC Charging |
| Protection class: | IP44 |
| Mechanical impact resistance: | IK08 |
| Temperature range: | -25C - +40C |
| Weight: | 3-5,4 kg depending on model |
| Standard cable length (fixed cable version): | Standard 4,5m |
| Rated current withstand | 10kA |
| Rated short-time withstand current | 10kA |
| Rated conditional short-circuit current of an assembly | 10kA |
| Short-circuit protective device type | Type C |
| Rated impulse withstand voltage | 4kV |
| Rated insulation voltage | 230/400V |
| Rated current of each circuit | 32A |
| Rated diversity factor | RDF=1 |
| Pollution degree: | 3 |
| EMC environmental condition | A and B |

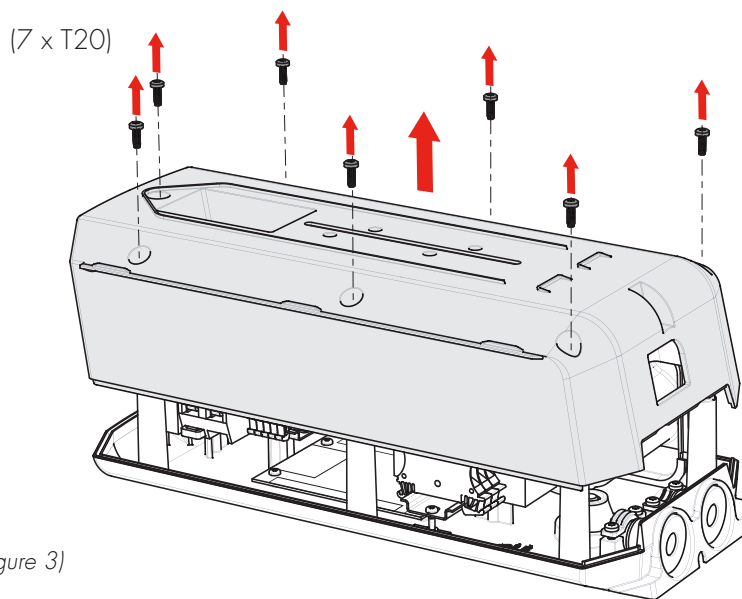
Installation sketch



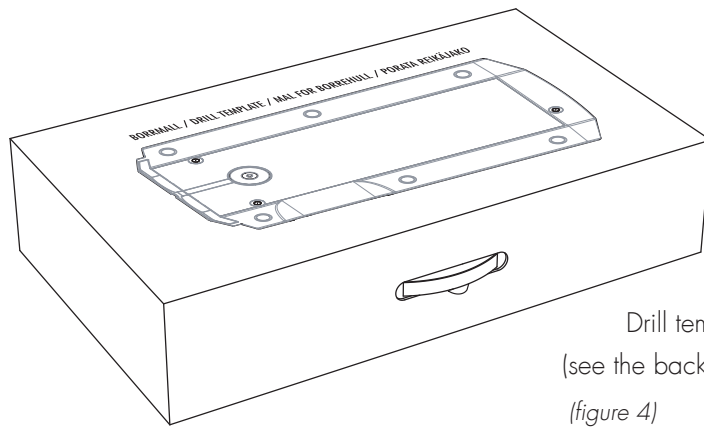
(figure 1)



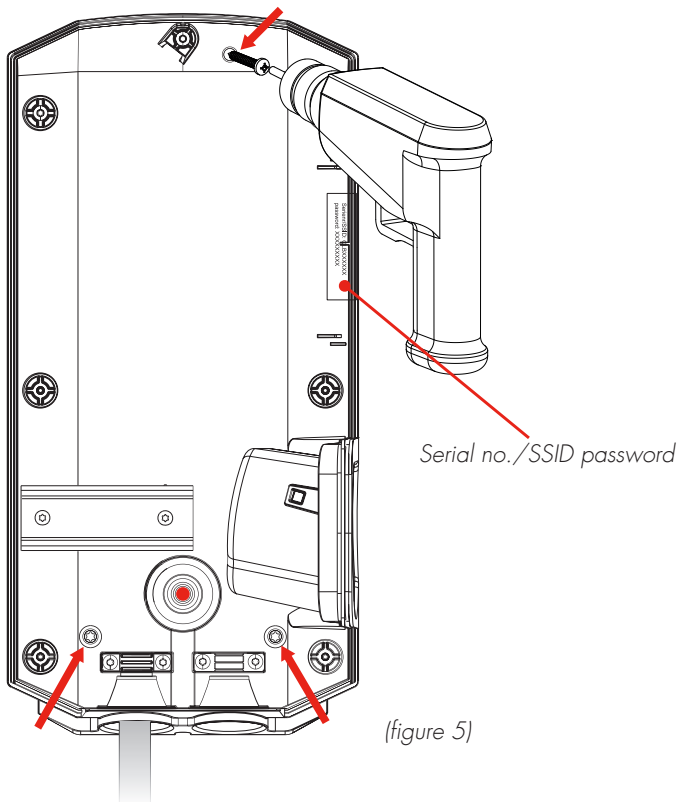
(figure 2)



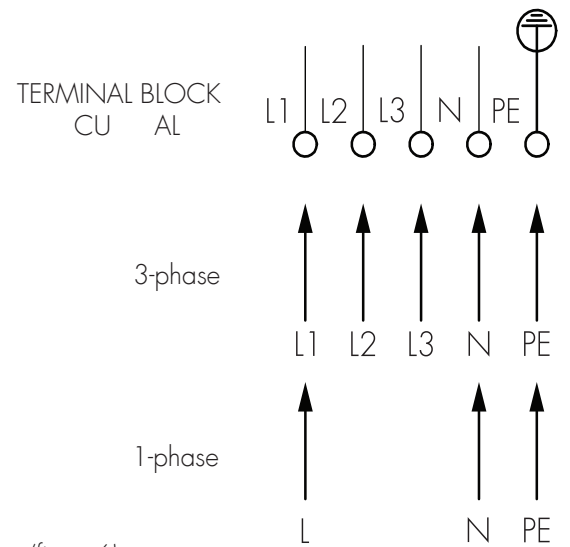
(figure 3)



Drill template
(see the back of the box)
(figure 4)

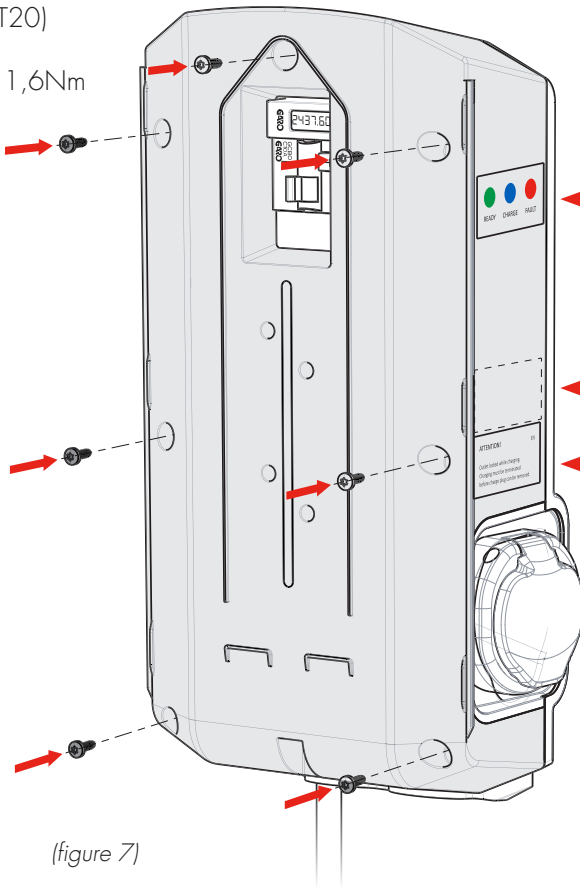


(figure 5)



(figure 6)

(7 x T20)
Max 1,6Nm



label explaining charger status indication

language label is placed on the side

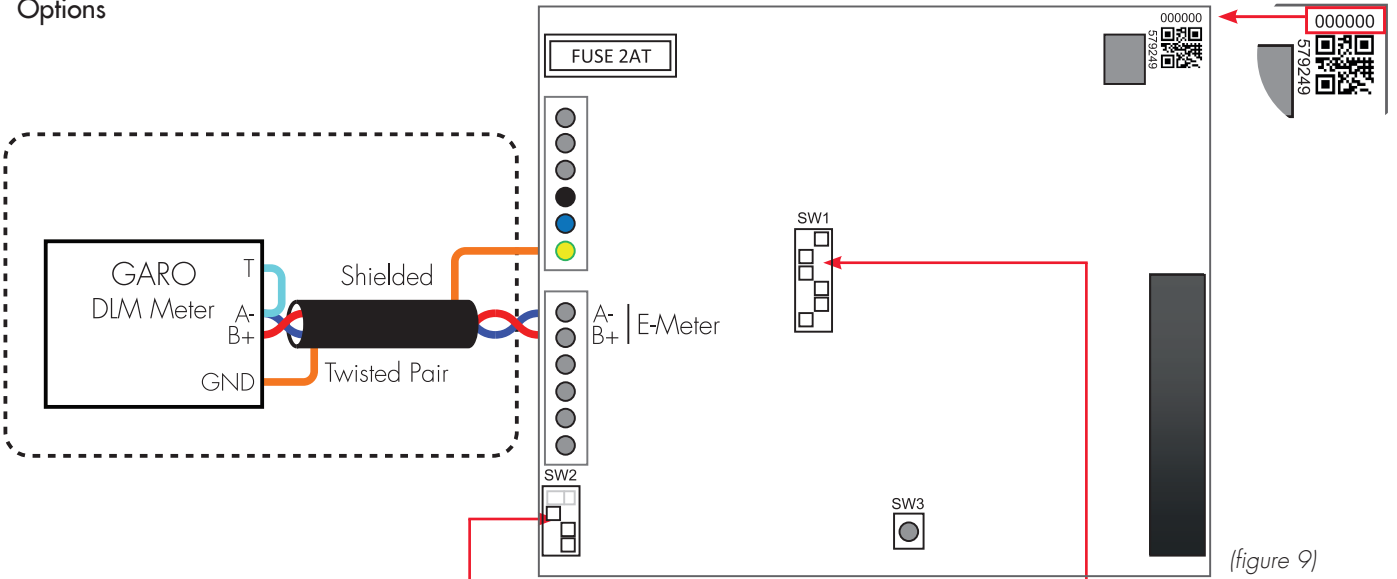
english information label

(figure 7)

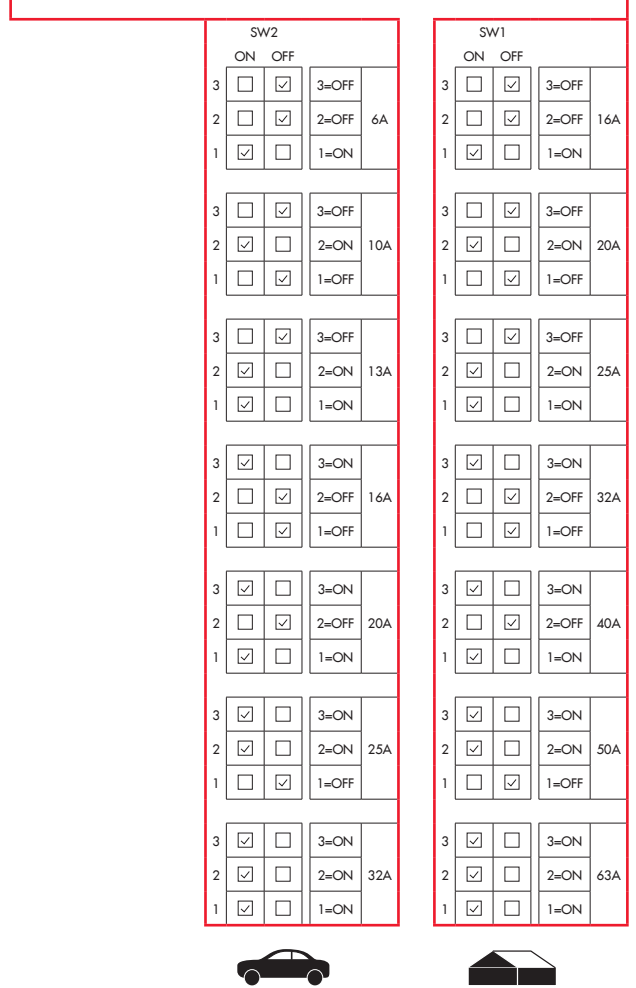


(figure 8)

Options



(figure 9)



(figure 10)

| | | | | | | | |
|--------------|-----|-----|-----|-----|-----|-----|-----|
| Main fuse | 16A | 20A | 25A | 32A | 40A | 50A | 63A |
| SW1(DIP 1-3) | 16A | 20A | 25A | 32A | 40A | 50A | 63A |
| SW2(DIP 1-3) | 13A | 16A | 20A | 25A | 32A | 32A | 32A |

(figure 11)

Warranty form/Garantiblankett

GLB Model: _____

Electrical installation data / Elektrisk installation information

Group fuse (A): _____

Gruppsäkring (A): _____

Supply cable dimension: _____

Area matningskabel: _____

Cable length: _____

Längd matningskabel: _____

Option Modules / Options-moduler

RFID yes/no: _____

RFID ja/nej: _____

Communication Module yes/no: _____

Kommunikationsmodul ja/nej: _____

Settings / Inställningar

Mark existing positions:

Markera nuvarande inställningar:

| | | SW1 | | SW2 | |
|---|--|-----|-----|-----|-----|
| | | ON | OFF | ON | OFF |
| 6 | | | | 4 | |
| 5 | | | | 3 | |
| 4 | | | | 2 | |
| 3 | | | | 1 | |
| 2 | | | | | |
| 1 | | | | | |

Serial No:

Serie nr: _____

Function Test / Funktionstest

Testbox / EV (model)

Testlåda / EV (modell) _____

Date:

Datum: _____

Sign Installer: _____

Signatur installatör: _____

Company Name: _____

Företagsnamn: _____

Owner / Customer Name: _____

Ägare / kundens namn: _____

Installation adress: _____

Installationsadress: _____

Warranty conditions

EU Countries (except Sweden)

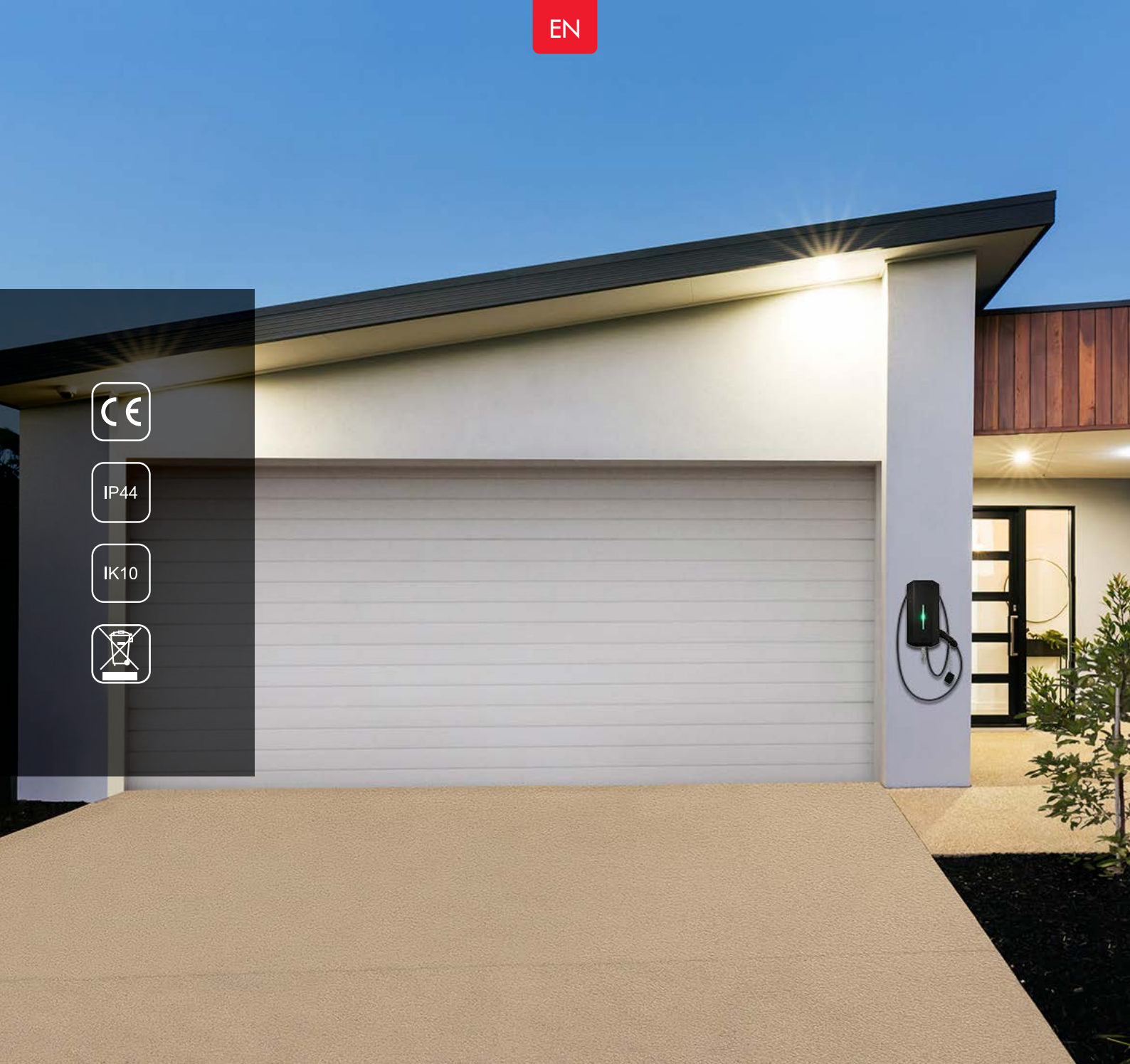
1. The product benefits from manufacturer's warranty. The applicable warranty period must be stated in purchase documents from your supplier.
2. The product must be installed by a certified installer / contractor.
3. Proper installation, storage and operation conditions must be obtained.
4. Warranties apply only to products installed in their original installation location.
5. Installation, use, care, and maintenance must be normal and in accordance with instructions.
6. Warranty requires a dated, fully filled in Warranty form by an certified installer/contractor. If the original installation date cannot be verified, then the warranty period begins ninety (90) days from the date of product manufacture (as indicated by the model and serial number).
7. Warranty does not cover damage occurred by incorrect use of equipment, use of any non-original spare parts, lack of maintenance or faults caused by disassembly of the product or unauthorized persons intervention,
8. Warranty does not cover software or update thereof.
9. Warranty does not cover aesthetic deficiencies caused by negligent manipulation or accidents (breaks or damage to the carcass).
10. Warranty does not cover damage caused by external overvoltage from either grid or car/charging object.
11. Warranty does not cover damage caused by force major like for example but not limited to: floods, winds, fires, lightning, accidents, sabotage, military conflicts, terrorism, volcanos, earthquakes or corrosive environments.

Sverige/Sweden

Garantivillkor enl ALEM 09.

OBS! Fullständigt ifyllt garantiblankett krävs.

Garantin gäller ej om produkten varit utsatt för ett isolationstest, sk meggning.



GARO AB

Box 203, SE-335 25 Gnosjö
Phone: +46 (0) 370 33 28 00
info@garo.se
garo.se

